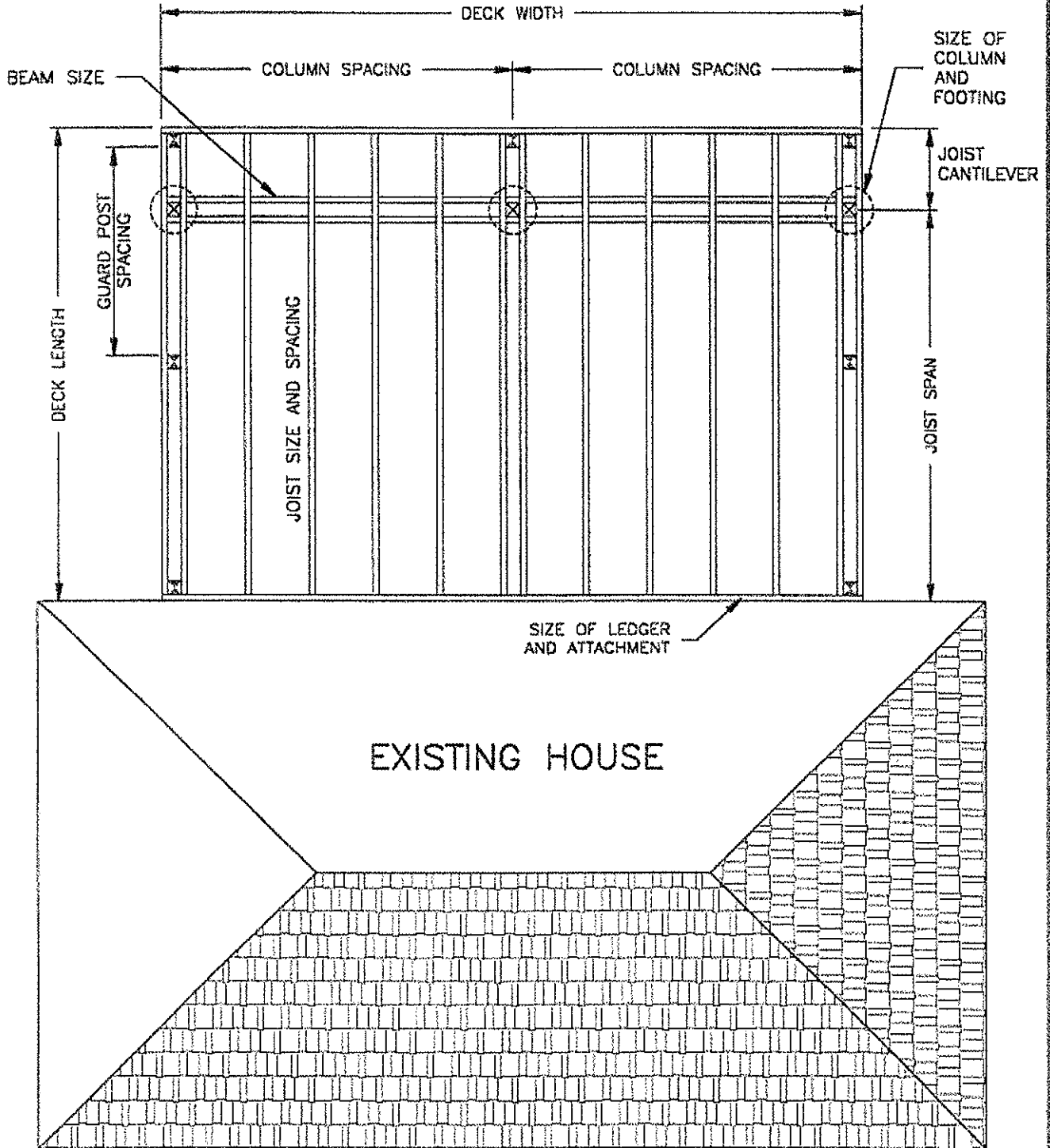
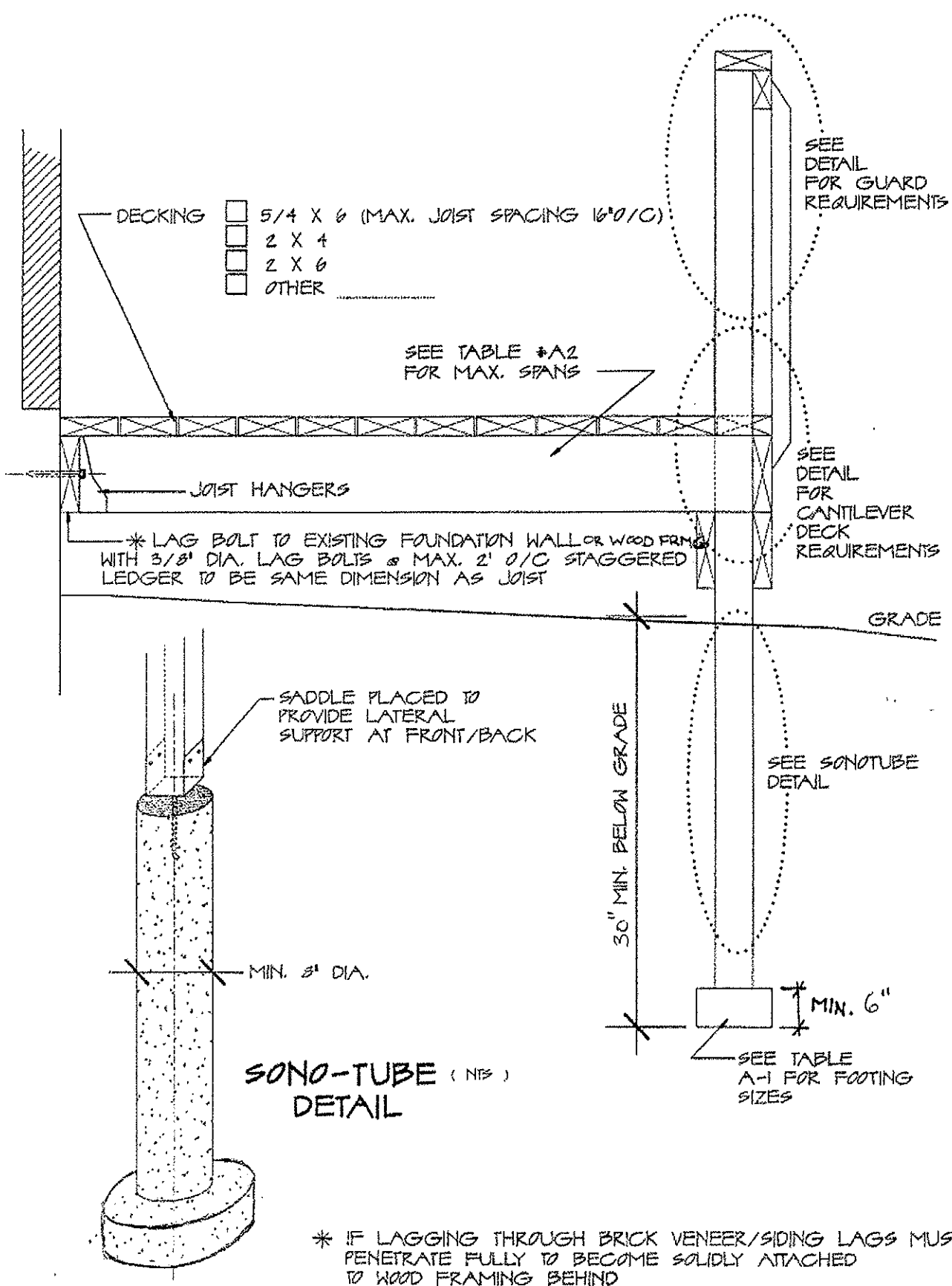


# DECK FRAMING PLAN

SCALE : 1/4" = 1'-0"





**COLUMN FOOTING REQUIREMENTS FOR DECKS**

COLUMN FOOTING DIAMETER (in)												
Floor Area Supported (sqft)												
0	10	15	20	25	30	40	50	60	70	80	90	100
8"	8"	8"	8"	9"	10"	11"	13"	14"	15"	16"	17"	18"

- Note:
1. Underside of Footing to be Minimum 4'-0" Below Grade
  2. Soil to Have a Minimum 75 kPa Bearing Pressure (1500 lb/sqft)
  3. Concrete Strength to be Minimum 15 Mpa (2200 lb/sqft)

**BEAM SIZES FOR DECKS**

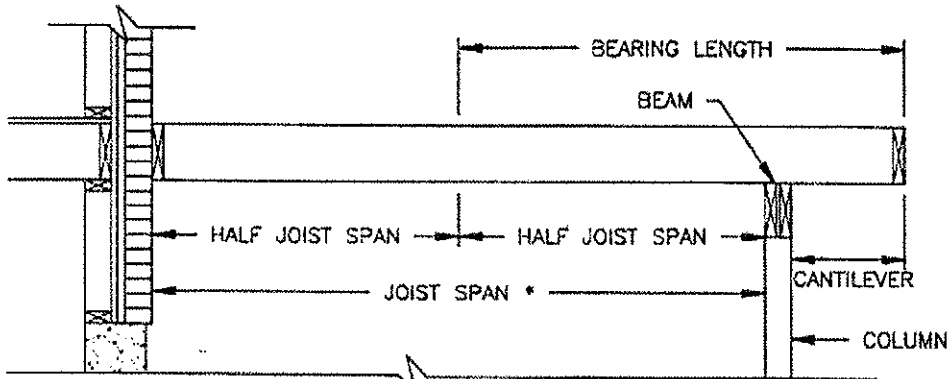
BEARING LENGTH	Size of Beam					
	2 x 8		2 x 10		2 x 12	
	2 PLY	3 PLY	2 PLY	3 PLY	2 PLY	3 PLY
8	7-9	9-6	9-6	11-8	11-0	13-6
10	6-9	8-6	8-0	10-4	8-9	12-1
12	5-8	7-9	6-8	9-6	7-3	11-0

- Note:
1. Table Based on a Deflection Criteria of  $V/240$

**FLOOR JOIST SPANS FOR DECKS**

MEMBER SIZE	Strapping			Bridging			Bridging & Strapping		
	Joist spacing (in)			Joist Spacing (in)			Joist Spacing (in)		
	12	16	24	12	16	24	12	16	24
2 X 6 (1)	9-7	8-11	8-2	10-4	9-4	8-2	10-4	9-4	8-2
2 X 8	11-7	11-0	10-6	12-5	11-9	10-9	13-1	12-2	10-9
2 X 10	13-8	13-0	12-4	14-6	13-8	12-10	15-1	14-1	13-2
2 X 12	15-7	14-10	14-1	16-4	15-5	14-6	17-0	15-10	14-9

- Note:
1. 2 x 6 Joist Only Permitted if Deck is Less Than 6'-0" Above Grade



MAXIMUM CANTILEVER : 2"x6" \*\* JOISTS = 12" (NO ROOF LOADS)  
 2"x8" JOISTS AND GREATER = 24" (NO ROOF LOADS)

SINGLE FAMILY DWELLING EXTERIOR GUARD AND HANDRAIL REQUIREMENTS						
DECK HEIGHT	GUARD		STAIR HEIGHT	GUARD		HANDRAIL HEIGHT
	MIN. HEIGHT	OPENING BETWEEN PICKETS		MIN. HEIGHT	OPENING BETWEEN PICKETS	
< 23 5/8"	N/R	< 4" OR > 8"	< = 3 RISERS	N/R	< 4" OR > 8"	N/R
23 5/8" to 5'-11"	36"	4" MAX.	> 3 RISERS	36"	4" MAX.	31" TO 38"
> 5'-11"	42"	4" MAX.	LANDING < = 5'-11"	36"	4" MAX.	31" TO 42"
			LANDING > 5'-11"	42"	4" MAX.	31" TO 42"

N/R - NOT REQUIRED

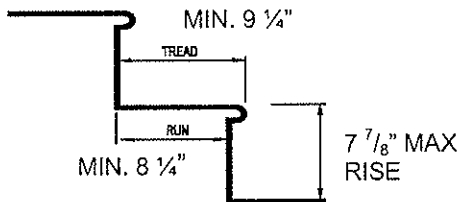
### ADDITIONAL STAIR REQUIREMENTS:

#### LANDING REQUIREMENTS

- LANDINGS ARE REQUIRED AT THE TOP OF ALL STAIRS WITH > 3 RISERS
- LANDING LENGTH AND WIDTH TO BE AT LEAST THE WIDTH OF THE STAIR LANDING LENGTH NEED NOT EXCEED 2'-11"
- MAXIMUM 12'-2" VERTICLE HEIGHT BETWEEN LANDINGS

#### STEP REQUIREMENTS

- MAXIMUM RISER HEIGHT 7 7/8"
- MINIMUM RUN 8 1/4"
- MINIMUM TREAD WIDTH 9 1/4"
- ANY ONE FLIGHT OF STAIRS SHALL HAVE UNIFORM RISE AND RUN

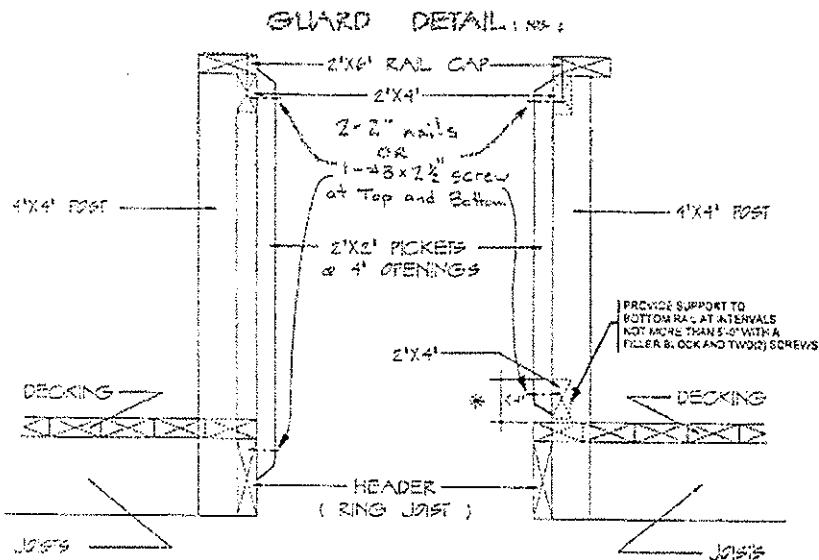


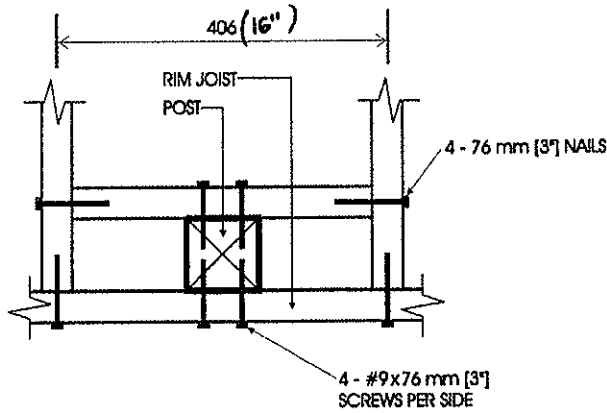
#### STRINGER REQUIREMENTS

- MINIMUM NOMINAL 2' x 10' S
- EFFECTIVE DEPTH MINIMUM 3 1/2"
- MAXIMUM 2'-11" BETWEEN STRINGERS

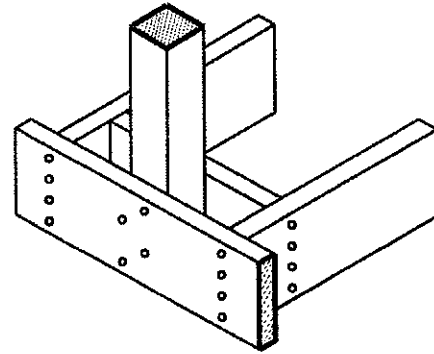
#### GUARD REQUIREMENTS

- GUARDS SHALL BE DESIGNED SO THAT NO MEMBER, ATTACHMENT OR OPENING LOCATED BETWEEN 6" AND 36" ABOVE WALKING SURFACE WILL FACILITATE CLIMBING
- A) ARE LOCATED MORE THAN 450 MM (18") HORIZONTALLY AND VERTICALLY FROM EACH OTHER
- B) PROVIDE NOT MORE THAN 15 MM (5/8") HORIZONTAL OFFSET
- C) DO NOT PROVIDE A TOE-SPACE MORE THAN 45 MM (1 3/4") HORIZONTALLY AND 20 MM (13/16") VERTICALLY
- D) PRESENT MORE THAN A 1-IN-2 SLOPE ON THE OFFSET.

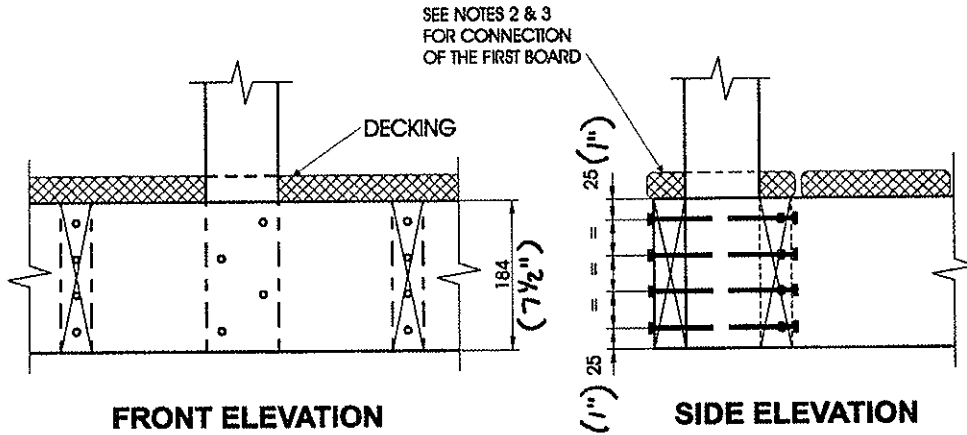




**PLAN**



**AXONOMETRIC**



**FRONT ELEVATION**

**SIDE ELEVATION**

**Detail EB-2**

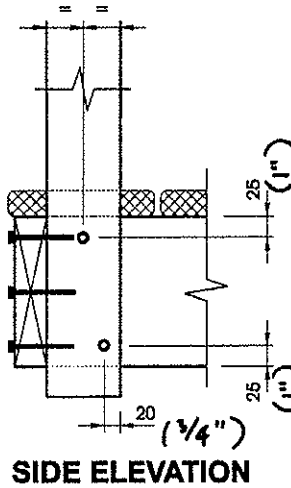
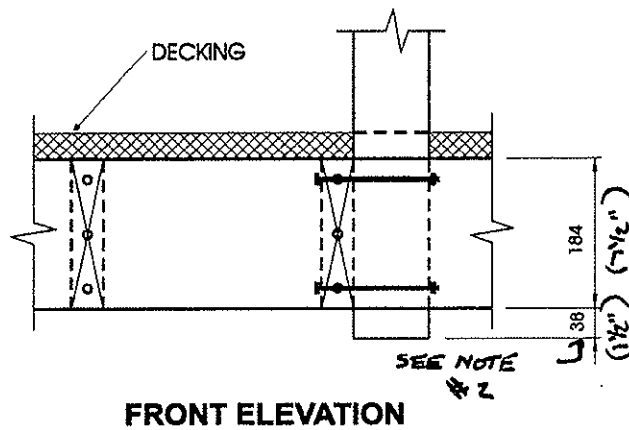
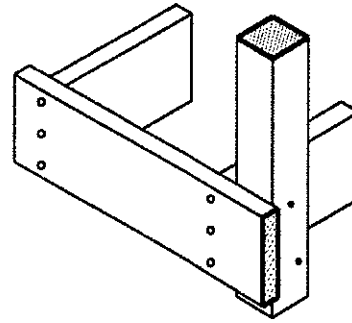
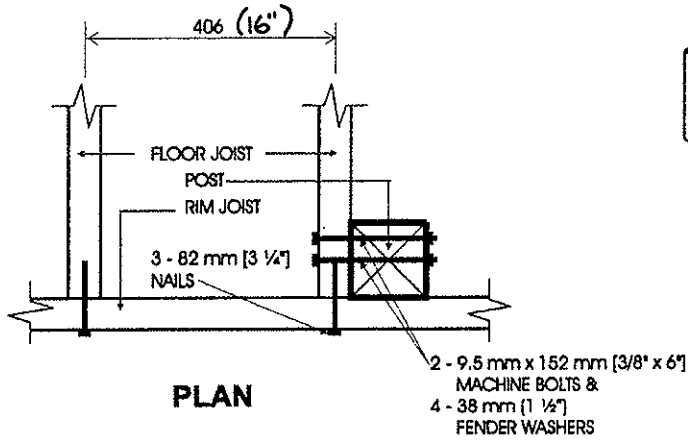
**Exterior Connection: Post Screwed to Rim Joist**

**Notes:**

1. Decking is omitted from the plan view and the axonometric view for clarity.
2. Fasten 25 mm x 140 mm (5/4" x 6" nominal) outer deck board to rim joist with 63 mm (2 1/2") nails at 300 mm (12").
3. Fasten 25 mm x 140 mm (5/4" x 6" nominal) outer deck board to floor joist with 1 - 63 mm (2 1/2") nail at each joist.
4. The post may be positioned anywhere between the joists.
5. #9 screws may be replaced by #8 screws if the maximum spacing between posts is not more than 1.20 m (3'-11").
6. Dimensions shown are in mm unless otherwise specified.

MAXIMUM SPACING BETWEEN POSTS	
Species	Maximum Spacing, m (ft-in)
Douglas Fir-Larch, Hem-Fir, Spruce-Pine-Fir	1.56 (5'-1")
Northern Species, Cedar	1.20 (3'-11")
Column 1	2

\* SEE NOTE # 4 FOR 24" OC JOIST SPACING



### Detail

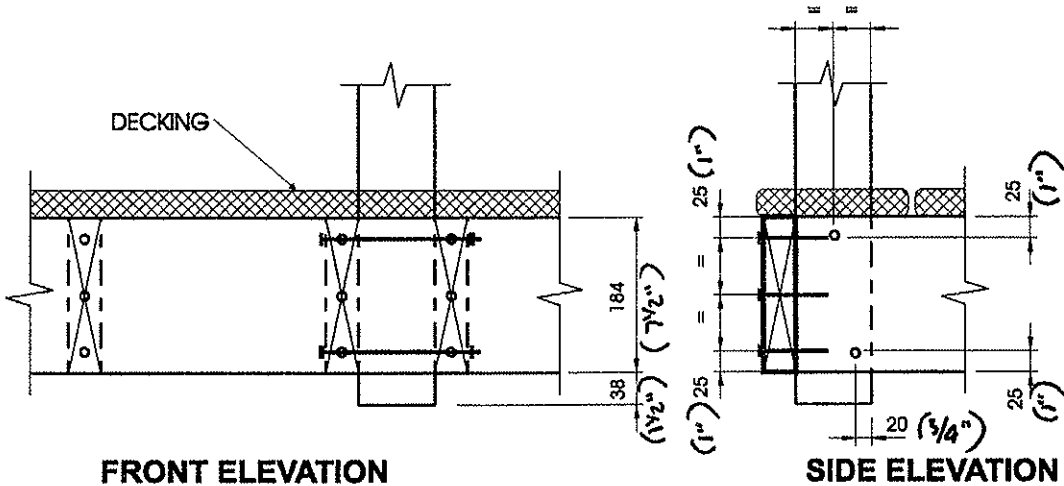
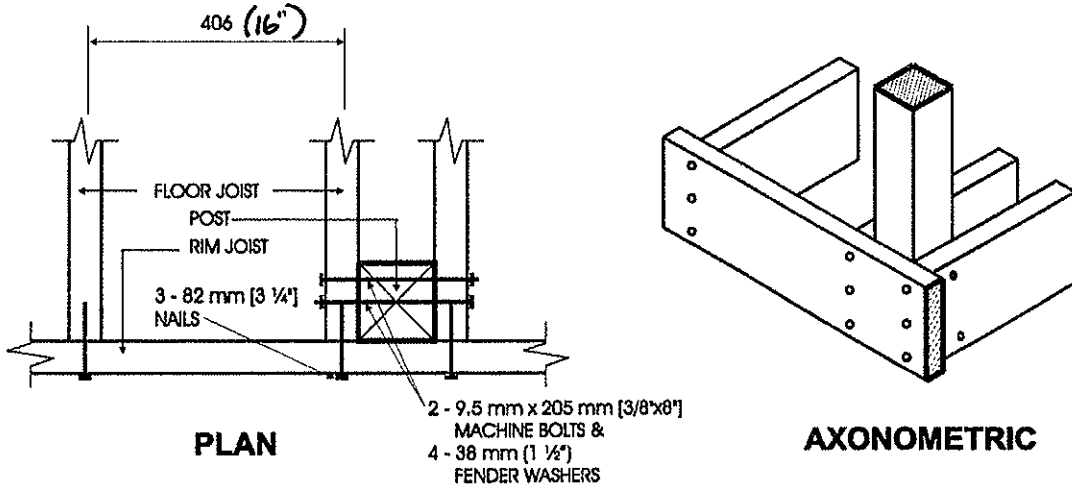
#### Exterior Connection: Post Bolted to Floor Joist - 9.5 mm (3/8") Bolts

#### Notes:

1. Decking is omitted from the plan view and the axonometric view for clarity.
2. 38 mm (1 1/2") post projection is not required where the maximum spacing between posts does not exceed 1.20 m (3'-11").
3. Joists may be spaced at 610 mm (24") o.c. or 406 mm (16") o.c.
4. Where floor joists are spaced at 610 mm (24") o.c., decking shall have a minimum thickness of 38 mm (1 1/2") and shall be fastened to the floor with 2 - 76 mm (3") nails.
5. Dimensions shown are in mm unless otherwise specified.

MAXIMUM SPACING BETWEEN POSTS	
Species	Maximum Spacing, m (ft-in)
Douglas Fir-Larch, Hem-Fir, Spruce-Pine-Fir	1.49 (4'-11")
Northern Species, Cedar	1.20 (3'-11")
Column 1	2

\*SEE NOTE #4 FOR 24" OC



**Detail**

**Exterior Connection: Post Bolted to 2 Floor Joists**

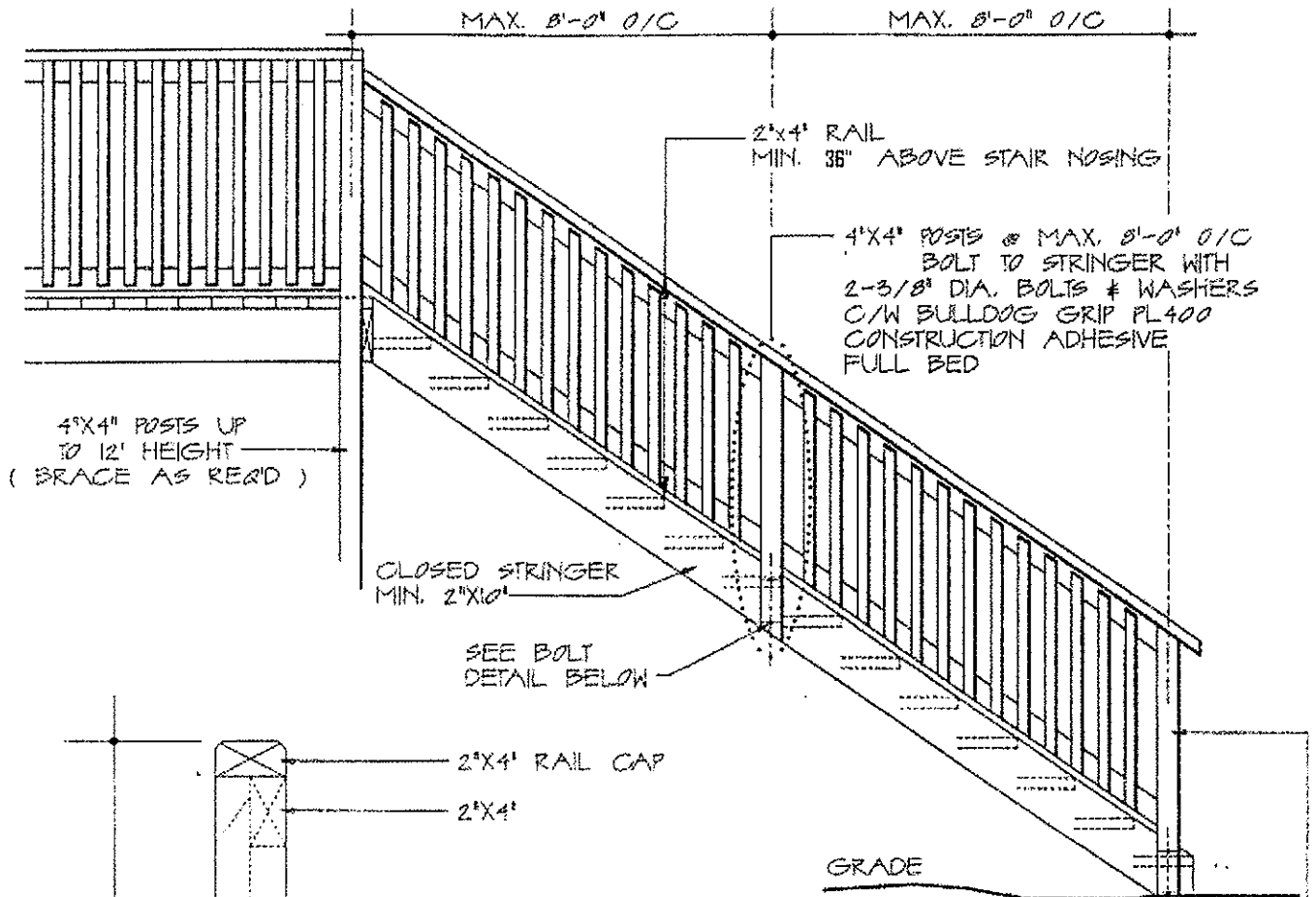
**Notes:**

1. Decking is omitted from the plan view and the axonometric view for clarity.
2. 38 mm (1 1/2 inch) post projection is not required where the maximum spacing between posts does not exceed 1.20 m (3'-11").
3. Joists may be spaced at 610 mm (24 inch) o.c. or 406 mm (16 inch) o.c..
4. Where floor joists are spaced at 610 mm (24 inch) o.c. decking shall have a minimum thickness of 38 mm (1 1/2 inch) and shall be fastened to the floor with 2 - 76 mm (3 inch) nails.
5. Dimensions shown are in mm unless otherwise specified.

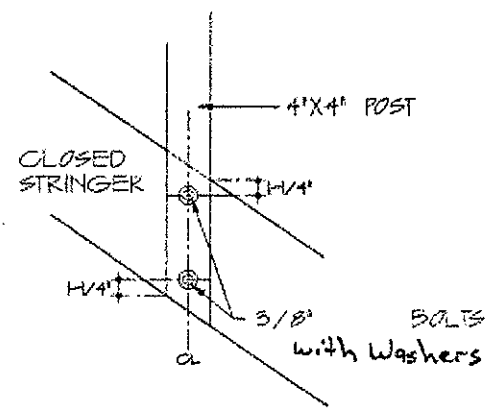
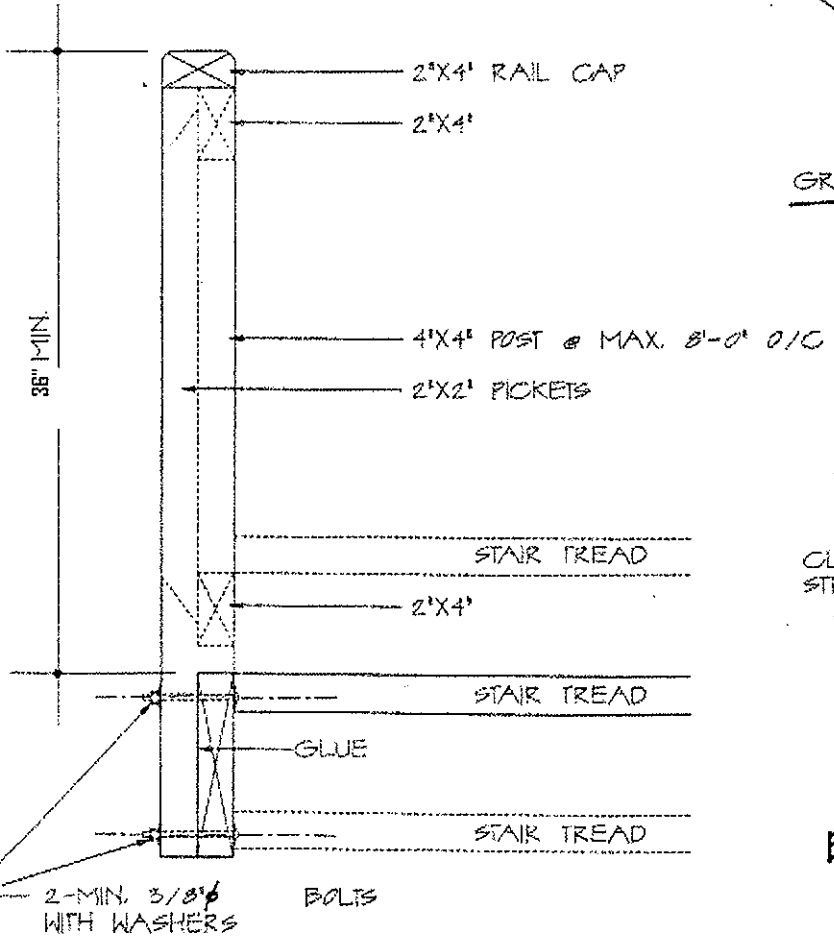
MAXIMUM SPACING BETWEEN POSTS	
Species	Maximum Spacing, m (ft-in)
Douglas Fir-Larch, Hem-Fir, Spruce-Pine-Fir	2.14 (7'-0") *
Northern Species, Cedar	1.20 (3'-11")
Column 1	2

\* Max 8'-0" Post Spacing Permitted IF Connection of Guard Post to Wood Joist Includes Construction Adhesive

# STAIR GUARD DETAIL ( NTS )



4"x4" POSTS REQ'D AT BASE  
OF STAIRS & INSTALLED  
AS PER STAIR GUARD  
DETAIL



**BOLT DETAIL ( NTS )**

**STAIR GUARD SECTION ( NTS )**